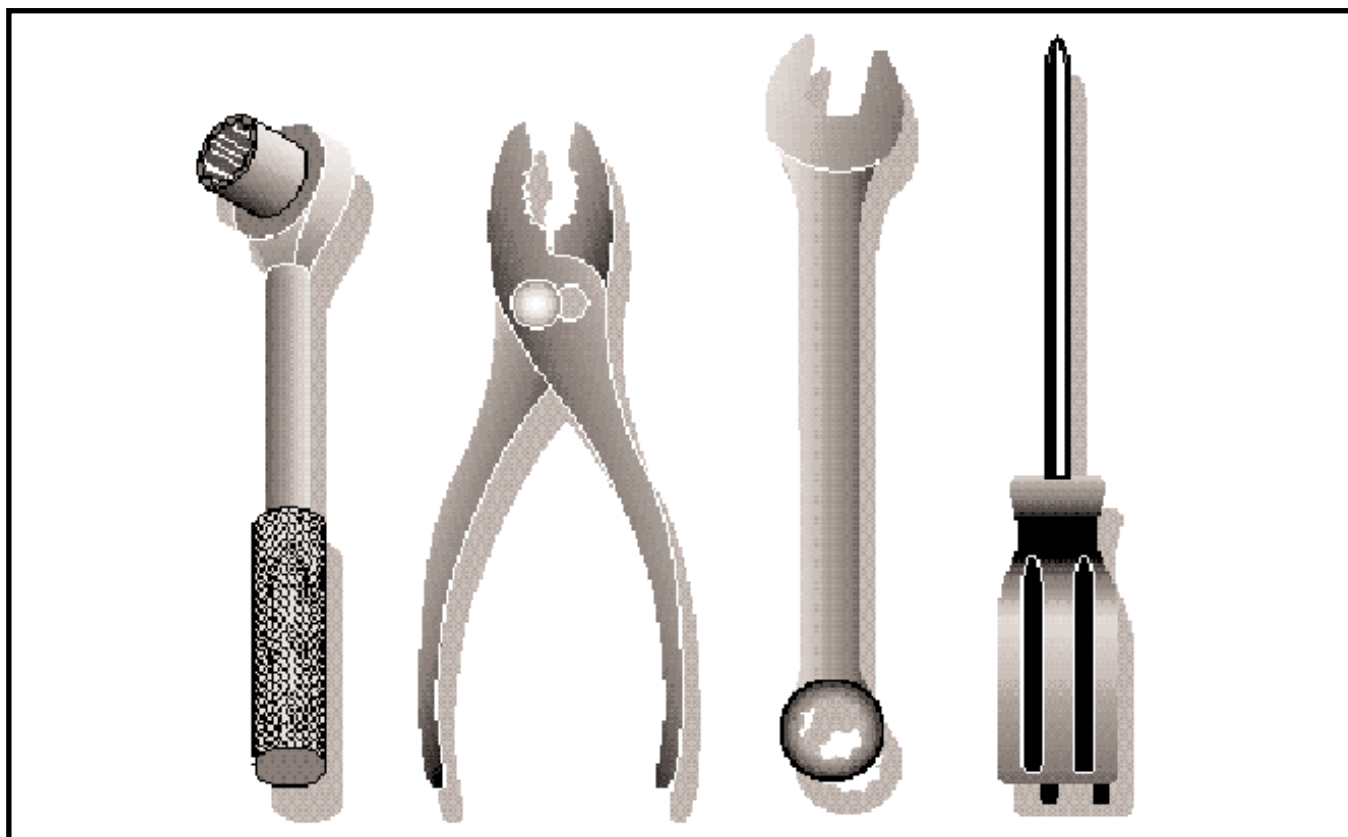


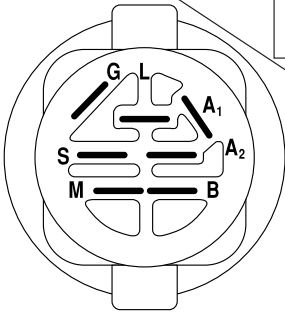
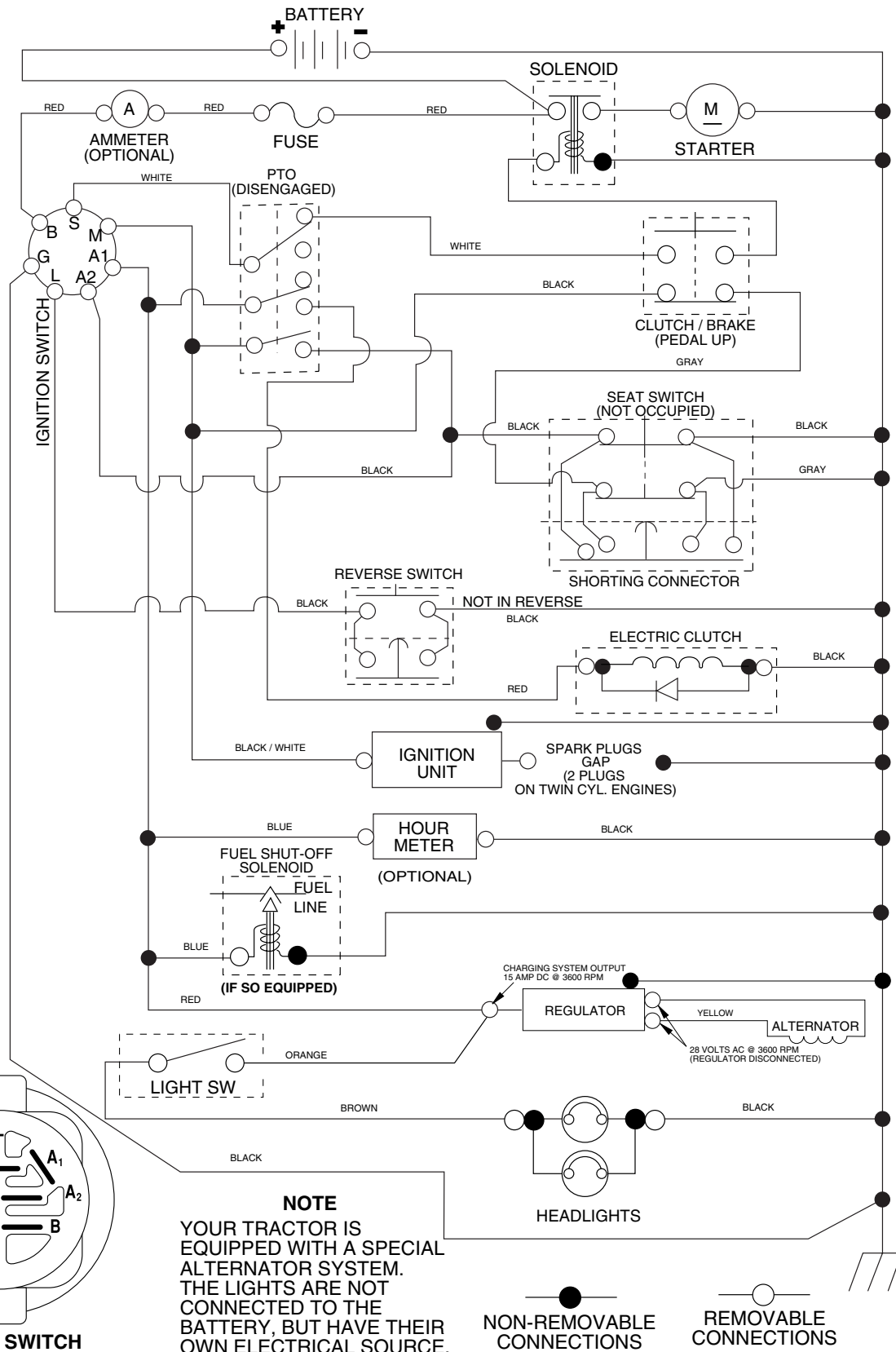
Ride Mower

YTH2748

96013001000



TRACTOR - MODEL NO. YTH2748 (96013001000), PRODUCT NO. 960 13 00-10 SCHEMATIC



IGNITION SWITCH

POSITION	CIRCUIT	"MAKE"
OFF	M+G+A1	
RUN/OVERRIDE	B+A1	
RUN	B+A1	L+A2
START	B + S + A1	

02870

NOTE
YOUR TRACTOR IS EQUIPPED WITH A SPECIAL ALTERNATOR SYSTEM. THE LIGHTS ARE NOT CONNECTED TO THE BATTERY, BUT HAVE THEIR OWN ELECTRICAL SOURCE. BECAUSE OF THIS, THE BRIGHTNESS OF THE LIGHTS WILL CHANGE WITH ENGINE SPEED. AT IDLE THE LIGHTS WILL DIM. AS THE ENGINE IS SPEEDED UP, THE LIGHTS WILL BECOME THEIR BRIGHTEST.

NON-REMOVABLE CONNECTIONS

REMOVABLE CONNECTIONS

WIRING INSULATED CLIPS

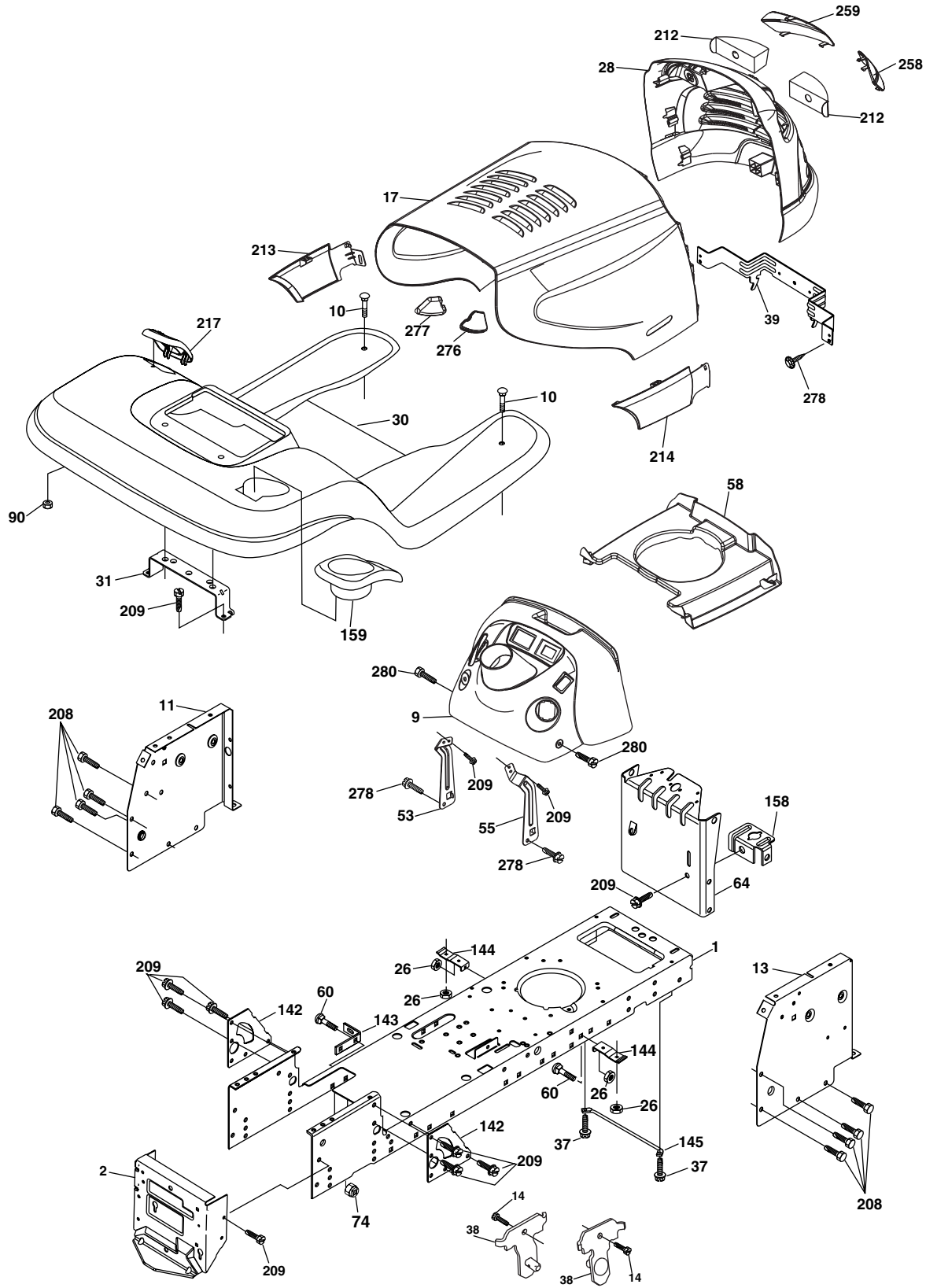
NOTE: IF WIRING INSULATED CLIPS WERE REMOVED FOR SERVICING OF UNIT, THEY SHOULD BE REPLACED TO PROPERLY SECURE YOUR WIRING.

**TRACTOR - MODEL NO. YTH2748 (96013001000), PRODUCT NO. 960 13 00-10
ELECTRICAL**

KEY NO.	PART NO.	DESCRIPTION
1	532 14 49-27	Battery
2	874 76 04-12	Bolt Hex Hd 1/4-20 unc x 3/4
8	532 18 64-91	Battery Box
16	532 17 61-38	Switch Interlock
21	532 18 37-59	Harness Socket Light
22	532 00 41-52	Bulb, Light # 1156
25	532 17 89-09	Cable Battery
26	532 17 51-58	Fuse
27	873 51 04-00	Nut Keps Hex 1/4-20 unc
28	532 14 54-91	Cable Ground 21" Blk 6 Ga.
29	532 19 27-49	Switch Seat
30	532 19 33-50	Switch Ign
33	532 14 04-01	Key Ign Molded Generic
34	532 11 07-12	Switch Light/Reset
40	532 19 33-76	Harness Ign
42	532 15 43-36	Cover Terminal Red
45	532 12 28-22	Ammeter
46	532 16 96-35	Hourmeter Snap-In
50	532 17 46-51	Switch PTO
55	817 49 05-08	Screw Thdrol 5/16-18 x 1/2
89	532 16 96-39	Bracket Snap-In Hourmeter
90	532 18 04-49	Cover Terminal Battery
91	532 19 02-70	Strap Battery
92	532 19 34-65	Harness Pigtail Reverse Switch
93	532 19 25-40	Screw Plastite 10-14 x 2.0
94	532 19 18-34	Module Revers ROS

NOTE: All component dimensions given in U.S. inches
1 inch = 25.4 mm

TRACTOR - MODEL NO. YTH2748 (96013001000), PRODUCT NO. 960 13 00-10 CHASSIS



chassis_elite husqy_4

**TRACTOR - MODEL NO. YTH2748 (96013001000), PRODUCT NO. 960 13 00-10
CHASSIS**

KEY NO.	PART NO.	DESCRIPTION
1	532 17 46-19	Chassis
2	532 17 65-54	Drawbar
9	532 19 54-20	Dash
10	872 14 06-08	Bolt Carriage 3/8-16 x 1
11	532 17 49-96	Panel Dash Lh
13	532 18 17-19	Panel Dash Rh
14	817 49 06-08	Screw Thdrol 3/8-16 x 1/2
17	532 18 99-77	Hood
20	532 16 20-26	Plate Battery
26	873 80 06-00	Nut Lock Hex W/Ins 3/8-16 unc
28	532 18 82-69	Grille/Lens Asm. (Includes Key Nos. 212, 258-259)
30	532 19 48-06	Fender Footrest
31	532 13 99-76	Bracket Fender
37	817 49 05-08	Screw Thdrol 6/16-18 x 1/2 TYT
38	532 17 57-10	Bracket Asm Pivot Mower Rear
39	532 17 47-14	Bracket Pivot
53	532 18 83-73	Bracket Dash LH
55	532 18 83-72	Bracket Dash RH
58	532 18 44-63	Duct Air
60	872 14 06-06	Bolt RDHD Sqnk 3/8-16 unc x 3/4
64	532 17 49-97	Dash Lower STLT
74	873 68 06-00	Nut Crownlock 3/8-16 unc
90	532 12 43-46	Nut Self Thd Wsh - HD 1/4 Zinc
142	532 17 57-02	Plate Reinforcement STLT
143	532 18 66-89	Bracket Swaybar Chassis
144	532 17 55-82	Bracket Footrest Step-thru
145	532 15 65-24	Rod Pivot Chassis/Hood
158	532 16 20-37	Bracket Parking Brake
159	532 19 24-04	Cupholder
208	817 67 06-08	Screw 3/8-16 x 1/2
209	817 00 06-12	Screw Hexwsh Thdr 3/8-16 x 3/4
212	532 18 82-67	Insert Lens Reflective
213	532 18 99-79	Skirt Side LH
214	532 18 99-78	Skirt Side RH
217	532 18 54-36	Console Fuel Window
258	532 18 99-81	Lens RH
259	532 18 99-82	Lens LH
276	532 18 92-74	Bumper Hood RH
277	532 18 92-75	Bumper Hood LH
278	532 19 16-11	Screw 10 x 3/4 Single Lead-Hex
280	817 00 06-16	Screw 3/8-16 x 1
--	532 00 54-79	Plug Button

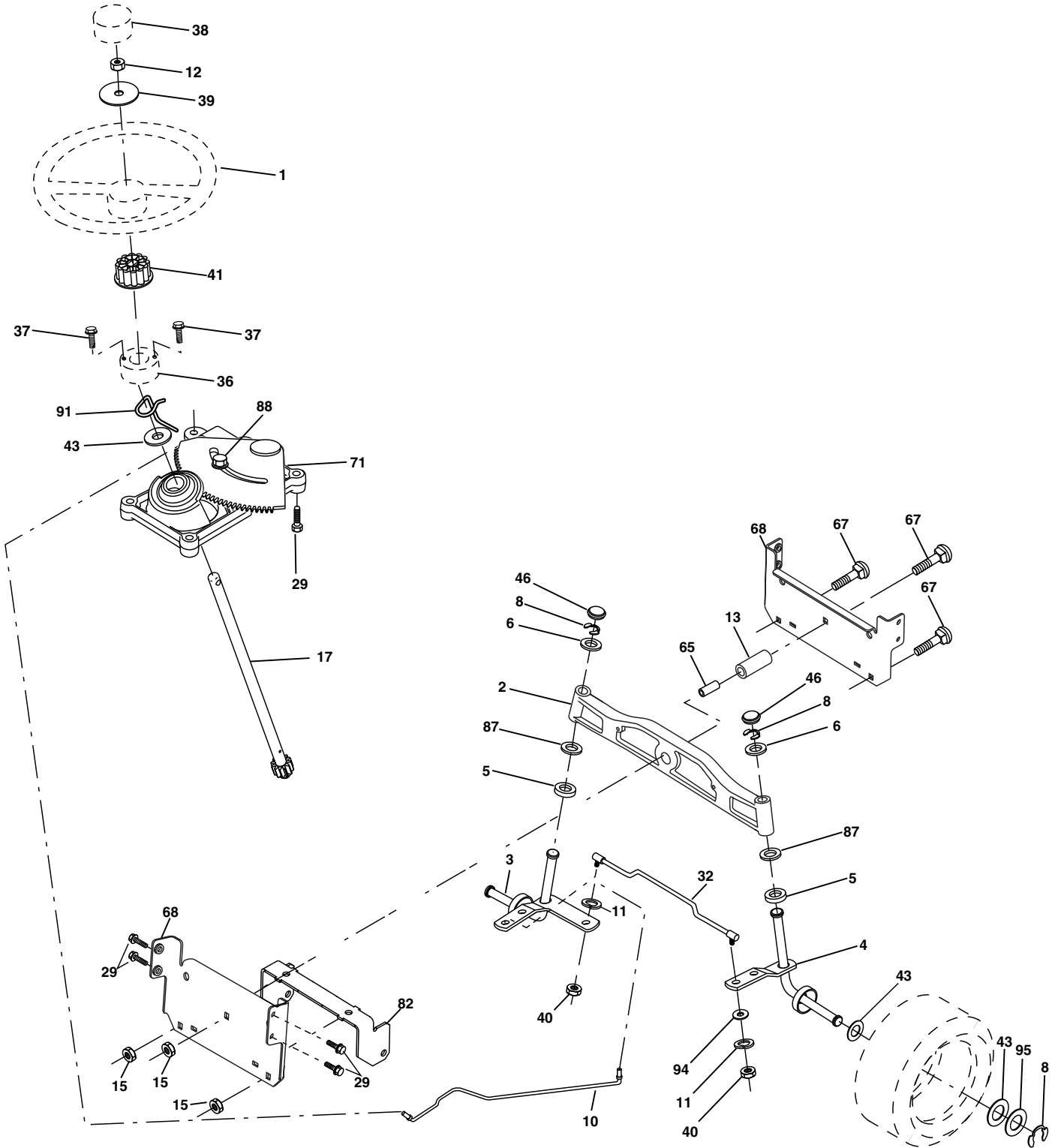
NOTE: All component dimensions given in U.S. inches
1 inch = 25.4 mm

**TRACTOR - MODEL NO. YTH2748 (96013001000), PRODUCT NO. 960 13 00-10
DRIVE**

KEY NO.	PART NO.	DESCRIPTION	KEY NO.	PART NO.	DESCRIPTION
1	-----	Transaxle Hydro Gear 314-0510 (Order Parts From Transaxle Manufacturer)	63	532 17 46-07	Pulley, Engine
8	532 19 25-02	Rod Shift	64	532 17 39-37	Bolt Hex 7/16-20 x 4 x Gr. 5-1.5 Thr
9	532 17 93-34	Clutch Ogura	65	810 04 07-00	Washer
10	876 02 04-16	Pin Cotter 1/8 x 1 CAD	66	532 15 47-78	Keeper Belt Engine
14	810 04 04-00	Washer Lock Hvy Helical	69	532 14 24-32	Screw Hex Wsh Hi-Lo 1/4 x 1/2 unc
15	874 49 05-44	Bolt, Hex FLGHD 5/16-18 Gr. 5	71	532 16 91-83	Strap Torque Lh Hydro
16	873 80 05-00	Nut Lock Hex W/Ins 5/16-18 unc	73	532 16 91-82	Strap Torque Rh Hydro
17	532 12 61-97	Washer	74	532 13 70-57	Spacer, Axle
19	873 80 06-00	Nut Lock Hex W/Wsh 3/8-16 unc	75	532 12 17-49	Washer 25/32 x 1-1/4 x 16 Ga.
21	532 14 08-45	Knob	76	812 00 00-01	E-Ring
22	532 16 94-98	Rod, Brake Hydro	77	532 12 35-83	Key, Square
23	532 19 07-36	Bracket Anti Rotation	78	532 12 17-48	Washer 25/32 x 1-5/8 x 16 Ga.
24	873 35 06-00	Nut	81	532 16 55-96	Shaft Asm. Cross Hydro
25	532 10 68-88	Spring, Brake Rod	82	532 16 57-11	Spring Torsion T/A
26	819 13 13-16	Washer	83	819 17 12-16	Washer 17/32 x 3/4 x 16 Ga.
27	876 02 04-12	Pin Cotter 1/8 x 3/4 CAD.	84	532 16 95-94	Link Transaxle
28	532 17 57-65	Rod, Parking Brake	89	532 19 48-10	Console, Shift
29	532 07 16-73	Cap, Parking Brake	95	532 17 02-01	Control Asm Bypass Hydro
30	532 16 95-92	Bracket, Transaxle	96	532 12 47-80	Retainer Spring 1" Zinc/Cad
32	874 76 05-12	Bolt Hex Hd 5/16-18 unc x 3/4	112	819 09 12-10	Washer 9/32 x 3/4 x 10 Ga.
34	532 17 55-78	Shaft, Foot Pedal	120	873 90 06-00	Nut Lock Flg 3/8-16 unc
35	532 12 01-83	Bearing, Nylon	150	532 17 54-56	Spacer Retainer
36	819 21 16-16	Washer	151	819 13 32-10	Washer 13/32 x 2 x 10 Ga.
37	532 12 49-63	Pin, Roll	156	532 16 60-02	Washer Srrted 5/16 ID x 1.125
38	532 17 91-14	Pulley, Composite	158	532 16 55-89	Bracket Shift Mount
39	872 11 06-22	Bolt Rdhd 3/8-16 unc x 2-3/4 Gr. 5	159	532 18 39-00	Hub Shift
41	532 17 55-56	Keeper, Belt Idler	161	872 14 04-06	Bolt Rdhd Sqnk 1/4-20 x 3/4 Gr. 5
47	532 12 77-83	Pulley, Idler, V-Groove	162	873 68 04-00	Nut Crownlock 1/4-20 unc
48	532 15 44-07	Bellcrank Clutch Grnd Drv STL	163	874 78 04-16	Bolt Hex Fin 1/4-20 unc x 1 Gr. 5
49	532 12 32-05	Retainer, Belt	165	532 16 56-23	Bracket Pivot Lever
50	872 11 06-12	Bolt Carr Sh 3/8-16 x 1-1/2 Gr. 5	166	817 49 05-10	Screw 5/16-18 x 5/8
51	873 68 06-00	Nut Crownlock 3/8-16 unc	168	532 16 54-92	Bolt Shoulder 5/16-18 x .561
52	873 68 05-00	Nut Crownlock 5/16-18 unc	169	532 16 55-80	Plate Fastening Lt
53	532 10 57-10	Link, Clutch	197	532 16 96-13	Nyliner Snap-In 5/8" ID
55	532 10 57-09	Spring, Return, Clutch	198	532 16 95-93	Washer Nyl 7/8 ID x .105
56	817 06 06-20	Screw 3/8-16 x 1-1/4	199	532 16 96-12	Bolt Shoulder 5/16-18 unc
57	532 14 02-94	V-Belt, Ground Drive	200	872 14 05-08	Bolt Rdhd Sqnk 5/16-18 unc x 1
59	532 16 96-91	Keeper, Center Span	202	872 11 06-14	Bolt Carr Sh 3/8-16 x 1-3/4 Gr. 5
61	817 12 06-14	Screw 3/8-16 x .875	254	817 00 06-16	Screw 3/8-16 x 1
62	532 12 48-72	Cover, Pedal	263	817 00 06-12	Thdrol Screw 3/8-16 x 3/4

NOTE: All component dimensions given in U.S. inches
1 inch = 25.4 mm

TRACTOR - MODEL NO. YTH2748 (96013001000), PRODUCT NO. 960 13 00-10
STEERING ASSEMBLY



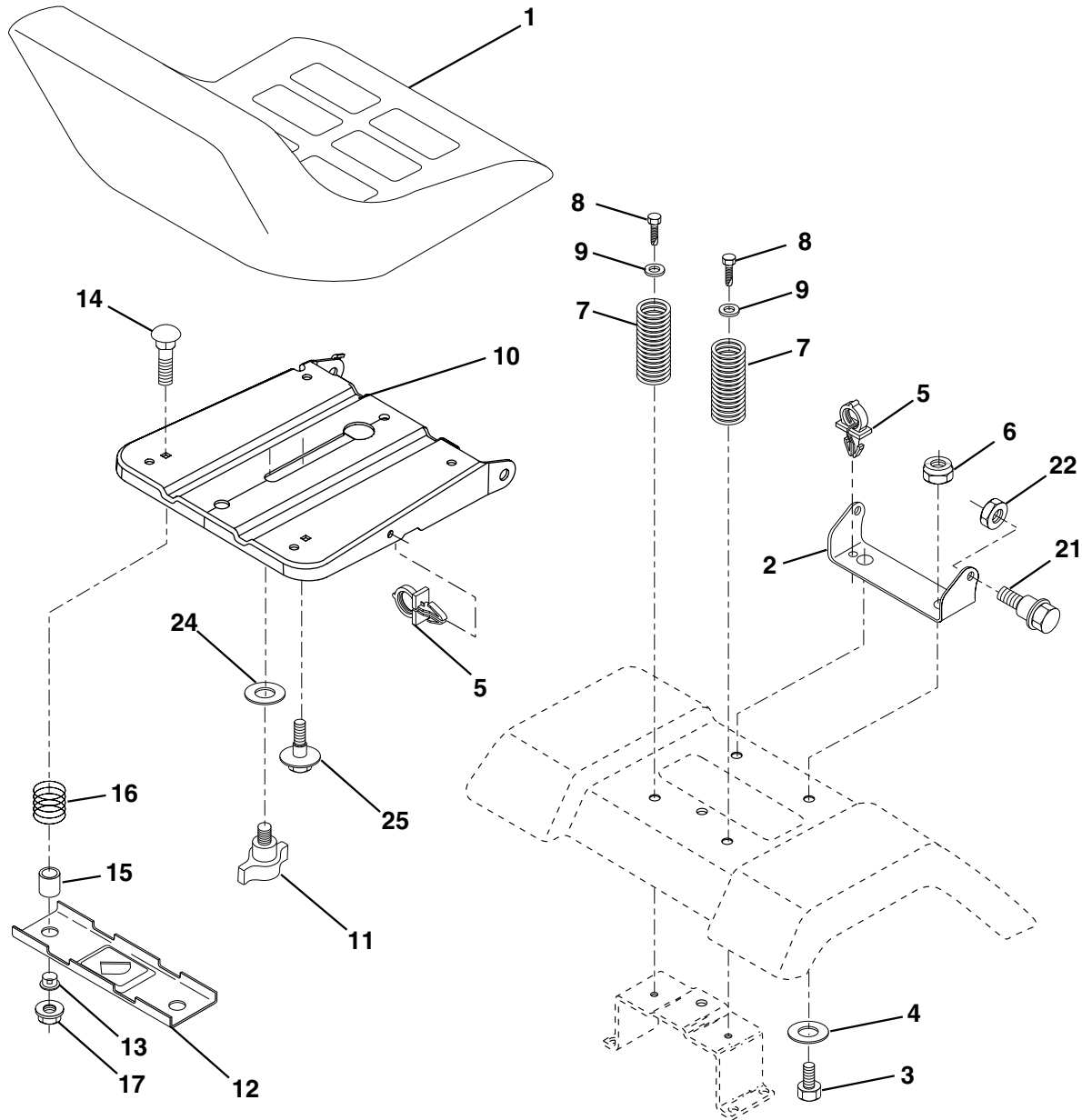
steering_pl.lt_54

**TRACTOR - MODEL NO. YTH2748 (96013001000), PRODUCT NO. 960 13 00-10
STEERING ASSEMBLY**

KEY NO.	PART NO.	DESCRIPTION
1	532 19 36-51	Wheel Steering
2	532 18 47-06	Axle
3	532 16 98-40	Spindle Asm LH
4	532 16 98-39	Spindle Asm RH
5	532 12 49-31	Bearing Race Thrust Harden
6	532 12 17-48	Washer 25/32 x 1-5/8 x 16 Ga.
8	812 00 00-29	Ring Klip #t5304-75
10	532 17 51-21	Link Drag
11	810 04 06-00	Washer Lock Hvy Hlcl Spr 3/8
12	873 94 08-00	Nut Hex Jam Toplock 1/2-20 unf
13	532 13 65-18	Spacer Brg Axle Front
15	532 14 52-12	Nut Hex Flange Lock
17	532 17 78-83	Shaft Asm Steering
29	817 00 06-12	Screw 3/8-16 x .75
32	532 18 05-80	Rod Tie
36	532 15 51-05	Bushing Strg
37	532 15 29-27	Screw
38	532 19 36-52	Insert Cap Strg Wh
39	819 18 38-12	Washer 9/16 ID x 2-3/8 OD 12 G
40	873 54 06-00	Crownlock nut
41	532 18 67-37	Adaptor Wheel Strg
43	532 12 17-49	Washer 25/32 x 1 1/4 x 16 Ga.
46	532 19 56-02	Cap Spindle
65	532 16 03-67	Spacer Brace Axle
67	872 11 06-18	Bolt RDHD SQNK 3/8-16 x 2 1/4
68	532 16 98-27	Axle, Brace
71	532 17 51-46	Steering Asm
82	532 16 98-35	Bracket Susp Chassis Front
87	532 17 39-66	Washer Flat .781 x 1-1/2 x .14
88	532 17 51-18	Bolt Shoulder 7/16-20 unc
91	532 17 55-53	Clip Steering
94	819 12 14-14	Rod Tie
95	532 18 89-67	Washer Harden

NOTE: All component dimensions given in U.S. inches
1 inch = 25.4 mm

TRACTOR - MODEL NO. YTH2748 (96013001000), PRODUCT NO. 960 13 00-10 SEAT ASSEMBLY



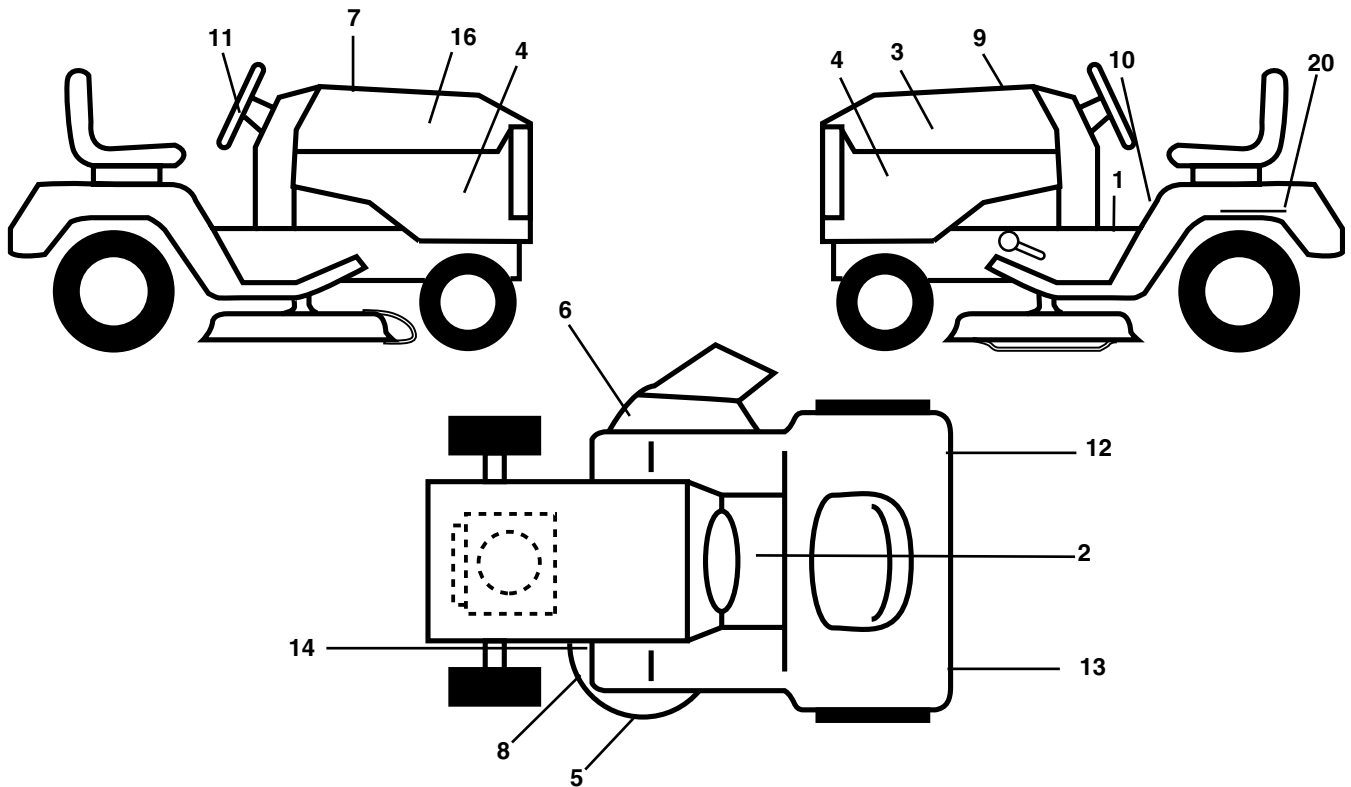
seat_ft.knob_13

KEY NO.	PART NO.	DESCRIPTION
1	532 18 87-15	Seat
2	532 14 05-51	Bracket Pivot Seat 8 720
3	871 11 06-16	Bolt Fin Hex 3/8-16 unc x 1
4	819 13 16-10	Washer 13/32 x 1 x 10 Ga.
5	532 14 50-06	Clip Push-In
6	873 80 06-00	Nut Hex w/Ins. 3/8-16 unc
7	532 12 41-81	Spring Seat Cprsn 2 250 Blk Zi
8	817 00 06-16	Screw 3/8-16 x 1.5 Smgml
9	819 13 16-14	Washer 13/32 x 1 x 14 Ga.
10	532 18 24-93	Pan Seat
11	532 16 63-69	Knob Seat
12	532 17 46-48	Bracket Mounting Switch

KEY NO.	PART NO.	DESCRIPTION
13	532 12 12-48	Bushing Snap Blk Nyl 50 Id
14	872 05 04-12	Bolt Rdhd Sqnk 1/4-20 x 1-1/2
15	532 12 12-49	Spacer Split 28x 88
16	532 12 37-40	Spring Cprsn
17	532 12 39-76	Nut Lock 1/4 Lge Flg Gr. 5 Zinc
21	532 17 18-52	Bolt Shoulder 5/16-18 unc
22	873 80 05-00	Nut Hex Lock W/Ins 5/16-18
24	819 17 19-12	Washer 17/32 x 1-3/16 x 12 Ga.
25	532 12 70-18	Bolt Shoulder 5/16-18 x 62

NOTE: All component dimensions given in U.S. inches
1 inch = 25.4 mm

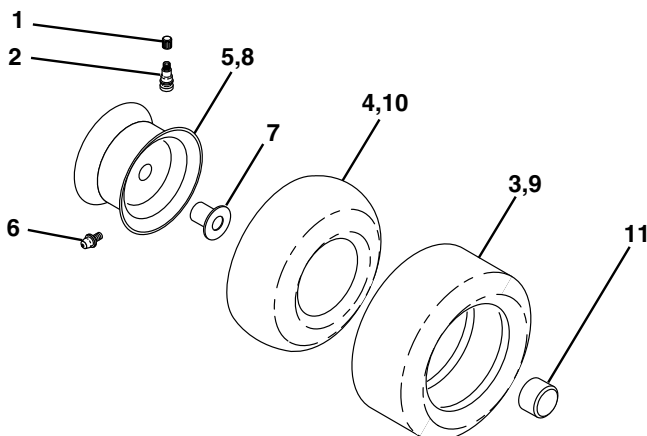
TRACTOR - MODEL NO. YTH2748 (96013001000), PRODUCT NO. 960 13 00-10 DECALS



KEY NO.	PART NO.	DESCRIPTION
1	532 19 39-39	Decal Oper
2	532 18 92-43	Decal Dash
3	532 18 89-19	Decal Hood LH
4	532 19 63-30	Decal Side Panel Logo
5	532 17 84-82	Decal Deck HVY DTY 10G
6	532 17 05-63	Decal Warning, Keep Hand Away
7	532 18 09-41	Decal Cust. Resp.
8	532 17 85-02	Decal Deck Caut. Prem.
9	532 19 43-71	Decal Replacement Parts
10	532 15 71-40	Decal Fender Danger E/F
11	532 18 89-25	Decal Ins Strg Whl

KEY NO.	PART NO.	DESCRIPTION
12	532 17 35-87	Decal Fend Reflector Rh
13	532 17 35-89	Decal Fend Reflector Lh
14	153 27 52-91	Decal V-Belt Schematic
16	532 18 89-18	Decal Hood Rh
20	532 14 50-05	Decal Bat Dan/Psn
--	532 16 69-60	Decal By Pass Lt Hydro
--	532 13 73-11	Decal Handle Lift
--	532 18 82-52	Pad Footrest LH
--	532 18 82-53	Pad Footrest RH
--	532 19 54-05	Manual Owner's (English)
--	532 19 54-06	Manual Owner's (French)

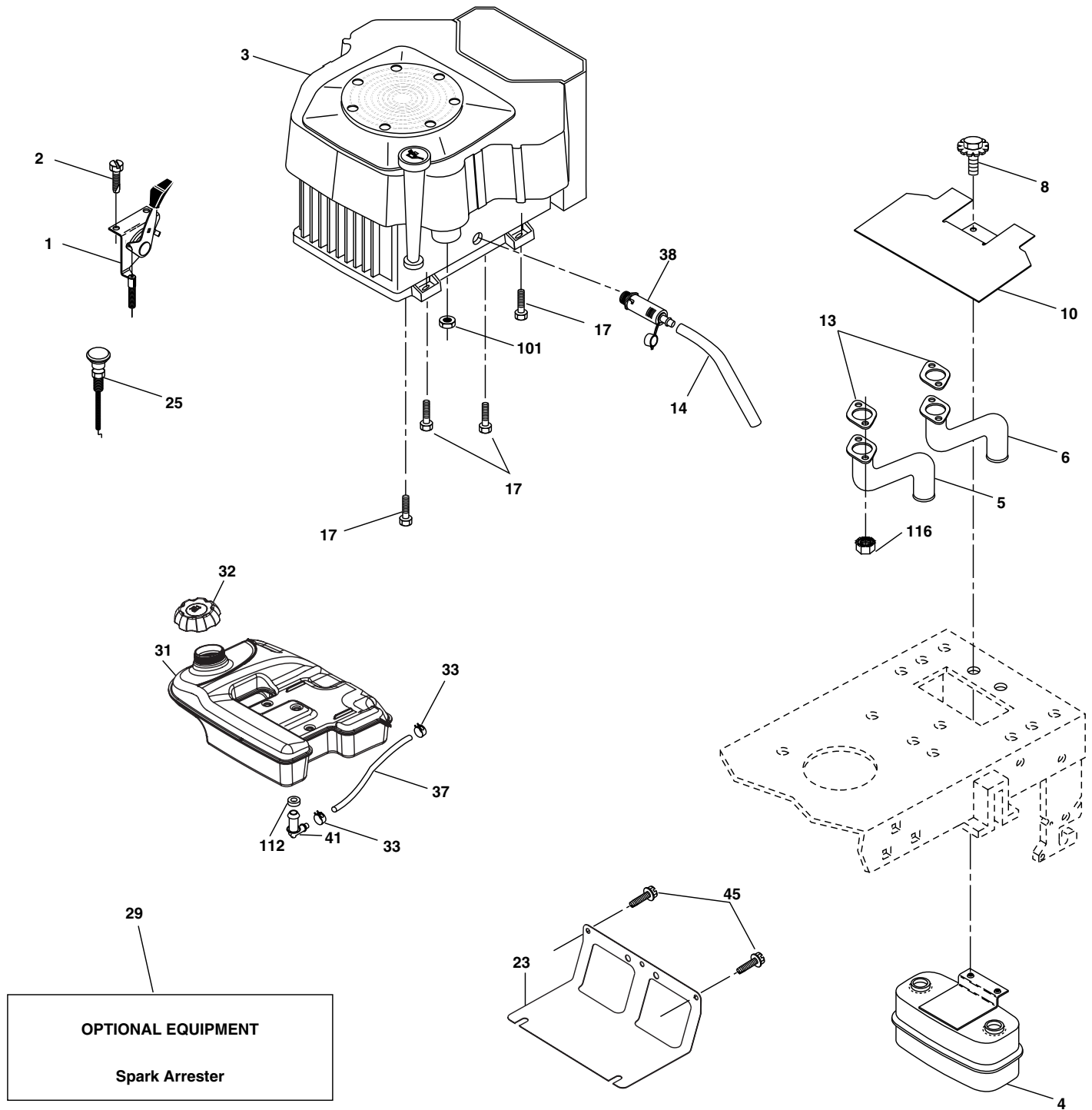
WHEELS AND TIRES



KEY NO.	PART NO.	DESCRIPTION
1	532 05 91-92	Cap Valve Tire
2	532 06 51-39	Stem Valve
3	532 10 62-22	Tire F T 15 x 6 0 - 6 Service
4	532 05 99-04	Tube Front (Service Item Only)
5	532 13 83-36	Rim Asm 6" front Service
6	532 12 49-57	Fitting Grease (Front Wheel Only)
7	532 12 49-59	Bearing Flange (Front Wheel nly)
8	532 13 83-37	Rim Asm 8" rear Service
9	532 12 20-82	Tire R T 20 x 10-8 Service
10	532 12 49-26	Tube Rear (Service Item Only)
11	532 17 50-39	Cap Axle Blk 1 50 x 1 00
--	532 14 43-34	Sealant, Tire (10 oz. Tube)

NOTE: All component dimensions given in U.S. inches
1 inch = 25.4 mm

**TRACTOR - MODEL NO. YTH2748 (96013001000), PRODUCT NO. 960 13 00-10
ENGINE**



engine-ko.twin_18

**TRACTOR - MODEL NO. YTH2748 (96013001000), PRODUCT NO. 960 13 00-10
ENGINE**

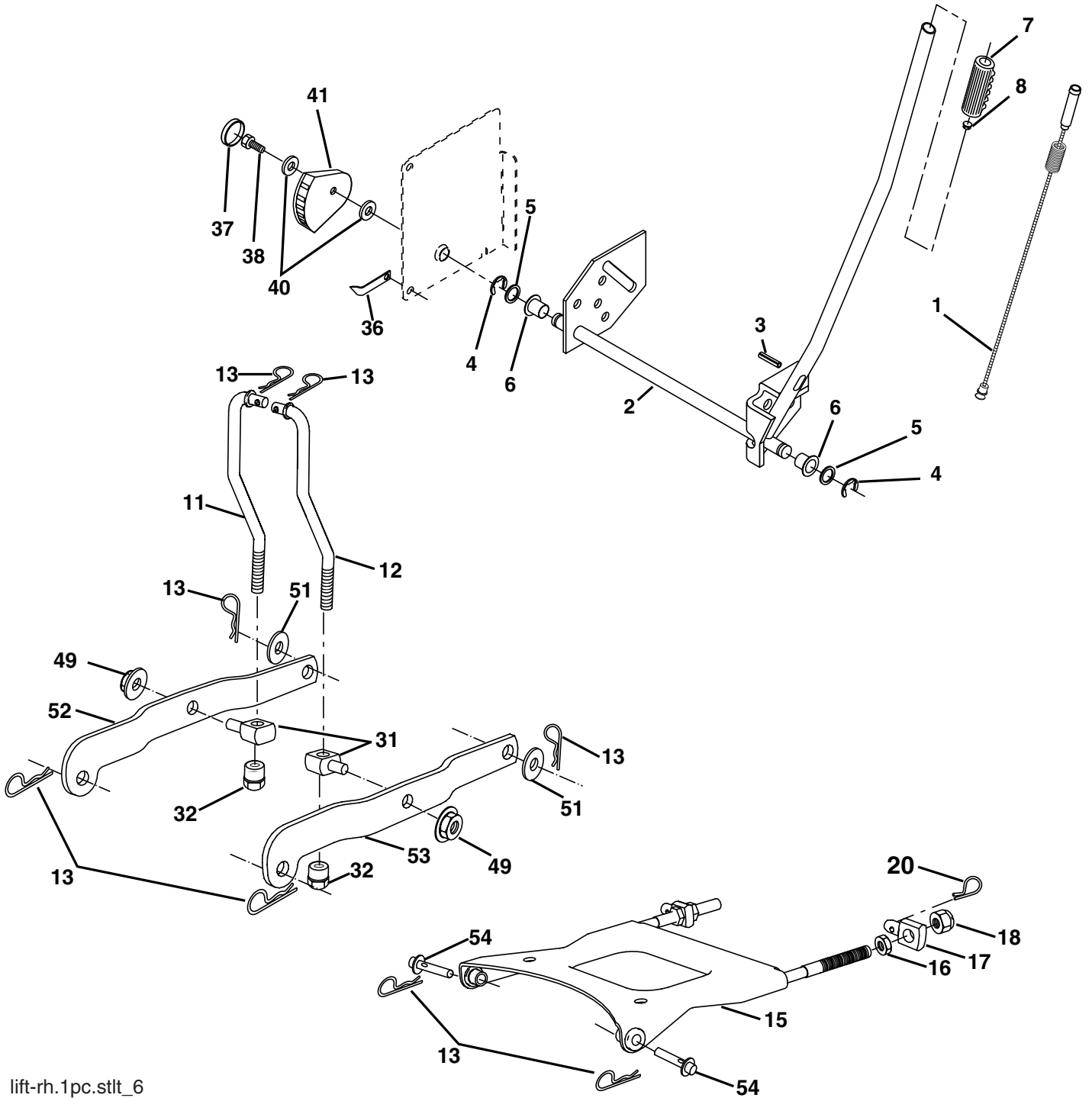
KEY NO.	PART NO.	DESCRIPTION
1	532 19 02-59	Control, Throttle
2	817 72 04-08	Screw Hex Thd Cut 1/4-20 x 1/2
3	-----	Engine Kohler Model CV740 (Order Parts from Engine Mfg.)
4	532 14 97-23	Muffler
5	532 14 66-99	Exhaust Tube LH
6	532 14 67-00	Exhaust Tube RH
8	532 17 18-77	Bolt 5/16-18 unc x 3/4 w/Sems
10	532 14 66-29	Shield Heat Muffler
13	-----	Muffler Gasket (Order from Eng. Mfgr.)
14	532 14 84-56	Tube Oil Drain
17	817 06 06-24	Screw 3/8-16 x 1-1/2
23	532 16 98-37	Shield, Browning/Debris Guard
25	532 19 02-60	Control Choke
29	532 13 71-80	Arrester, Spark
31	532 17 90-22	Tank, Fuel
32	532 18 18-03	Cap Gauge, Fuel
33	532 12 34-87	Clamp, Hose Blk
37	532 14 21-58	Line, Fuel
38	-----	Plug Drain Oil Easy (Order from Eng. Mfgr.)
41	532 13 92-77	Stem Tank Fuel
45	817 00 06-12	Screw Hex Wsh Thdrol 3/8-16 x 3/4
101	532 16 33-05	Nut Flange M8-1.25
112	532 12 49-52	Bushing

NOTE: All component dimensions given in U.S. inches
1 inch = 25.4 mm

For engine service and replacement parts, call the toll free number for your engine manufacturer listed below:

Briggs & Stratton	1-800-233-3723
Kohler Co.	1-800-544-2444
Tecumseh Products	1-800-558-5402
Honda Engines	1-800-426-7701
Kawasaki	1-949-460-5688

TRACTOR - MODEL NO. YTH2748 (96013001000), PRODUCT NO. 960 13 00-10
MOWER LIFT



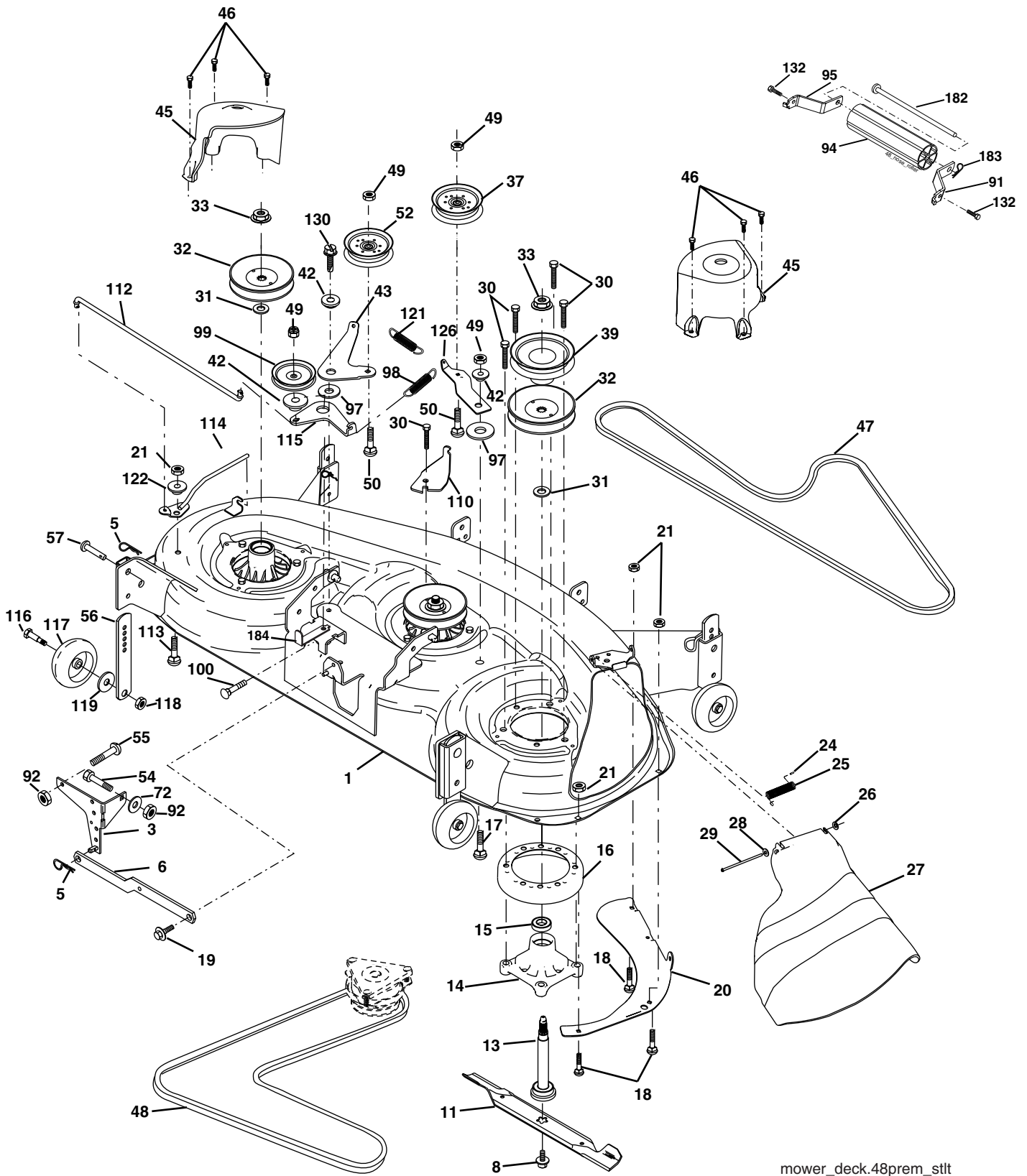
lift-rh.1pc.stlt_6

**TRACTOR - MODEL NO. YTH2748 (96013001000), PRODUCT NO. 960 13 00-10
MOWER LIFT**

KEY NO.	PART NO.	DESCRIPTION
1	532 15 94-60	Wire Asm Inner/Sprg W/plunger
2	532 15 94-71	Shaft Asm Lift RH w/Inf
3	532 10 57-67	Pin Groove
4	812 00 00-02	E Ring #5133-62
5	819 21 16-21	Washer 21/32 x 1 x 21 Ga.
6	532 12 01-83	Bearing Nylon Blk 629 Id
7	532 12 56-31	Grip Handle
8	532 12 45-26	Button Plunger
11	532 17 53-70	Link Lift LH
12	532 17 53-71	Link Lift RH
13	532 12 46-70	Retainer Spring
15	532 17 55-62	Plate Asm. Suspension Front
16	873 35 08-00	Nut Jam Hex 1/2-13 unc
17	532 17 56-89	Trunnion Front Susp.
18	873 80 08-00	Nut Lock w/Wsh 1/2-13 unc
20	532 16 35-52	Retainer Spring
23	532 11 08-07	Nut Special
24	819 13 10-16	Washer 13/32 x 5/8 x 16 Ga.
25	532 16 40-24	Spring
26	532 16 94-84	Retainer Clip
27	532 16 45-43	Rod Adj Lift
28	873 35 06-00	Nut Hex Jam 3/8-16 unc
29	532 13 80-57	Knob Inf 3/8-16 unc Blk W/sym
30	532 15 02-33	Trunnion Infin Height
31	532 17 62-05	Trunnion Susp. Arm
32	532 17 59-94	Nut Lift Link 7/16-20
36	532 15 50-97	Pointer Height Indicator
37	532 12 39-35	Plug Hole Blk 1.485/1.515 Dia.
38	817 06 05-16	Screw 5/16-18 x 1
40	819 11 24-10	Washer 11/32 x 1-1/2 10 Ga.
41	532 15 50-98	Indicator Height STLT
49	532 14 52-12	Nut Hex Flange Lock
50	532 11 04-52	Nut PUsH Phos & Oil
51	819 17 14-16	Washer 17/32 x 7/8 x 16 Ga.
52	532 17 53-78	Arm Susp. Rear LH
53	532 17 58-02	Arm Susp. Rear RH
54	532 17 55-60	Pin

NOTE: All component dimensions given in U.S. inches
1 inch = 25.4 mm

**TRACTOR - MODEL NO. YTH2748 (96013001000), PRODUCT NO. 960 13 00-10
MOWER DECK**



mower_deck.48prem_stlt

**TRACTOR - MODEL NO. YTH2748 (96013001000), PRODUCT NO. 960 13 00-10
MOWER DECK**

KEY NO.	PART NO.	DESCRIPTION	KEY NO.	PART NO.	DESCRIPTION
1	532 18 18-48	Deck Weldment Mower 48	52	532 17 58-20	Pulley Idler Flat
3	532 13 80-17	Bracket Asm., Sway Bar	54	874 78 06-16	Bolt Fin Hex 3/8-16 x 1
5	532 12 46-70	Retainer Spring	55	872 14 06-08	Bolt Carriage Sqkn. 3/8-16 x 1
6	532 17 80-24	Arm, Suspension, Rear Sway Bar Deck	56	532 15 59-86	Bar Pnt Adj.
8	532 17 43-65	Bolt 7/16 Asm. Blade (The following blades are available)	57	532 15 69-41	Pin Head Rivet
11	532 18 00-54	Blade, 48" Hi-Lift (For bagging and discharging)	72	819 13 13-12	Washer 13/32 x 13/16 x 12 Ga.
--	532 17 39-21	Blade, 48" Mulching (For mulching mowers only)	91	532 18 05-35	Bracket, Asm Noseroller, RH
13	532 17 43-60	Shaft Asm. w/Lower Bearing	92	873 80 06-00	Nut Lock Hex 3/8-16
14	532 17 43-58	Mandrel Asm. Housing	94	532 17 60-66	Noseroller
15	532 11 04-85	Bearing, Ball, Mandrel	95	532 18 05-34	Bracket, Asm Noseroller LH
16	532 17 44-93	Stripper Mandrel Deck	97	532 17 85-15	Washer Hardened
17	872 11 06-10	Bolt RDHD Sq Neck 3/8-16 x 1.25	98	532 17 94-79	Spring Primary Drive
18	872 14 05-05	Bolt, Carriage 5/16-18 x 5/8	99	532 18 99-93	Pulley Idler"V"
19	532 13 28-27	Bolt, Hex Hd, Shoulder 5/16-18	100	872 11 06-16	Bolt RDHD Sqkn 3/8-16 unc x 2
20	532 17 43-78	Baffle, Vortex Mower	110	532 17 50-16	Arm Spring Secondary
21	873 68 05-00	Nut, Crownlock 5/16-18 unc	112	532 17 43-87	Link Tension Relief Lever
24	532 10 53-04	Cap, Sleeve	113	872 11 05-06	Bolt 5/16-18 x 3/4
25	532 17 81-02	Spring, Torsion	114	532 17 43-84	Tension Asm. Relief Lever
26	532 11 04-52	Nut, Push	115	532 17 46-09	Arm Spring Tension Relief
27	532 18 17-07	Deflector Shield	116	532 19 34-06	Bolt, Shoulder
28	819 11 10-16	Washer 11/32 x 5/8 x 16 Ga.	117	532 17 48-73	Gauge Wheel
29	532 13 14-91	Rod, Hinge	118	873 93 06-00	Nut, Centerlock 3/8-16 unc
30	532 17 39-84	Screw, Thdroll Washer Head	119	819 12 14-14	Washer 3/8 x 7/8 x 14 Ga.
31	532 18 76-90	Washer, Spacer	121	532 17 43-71	Spring Secondary Drive
32	532 17 34-36	Pulley, Mandrel	122	532 17 46-06	Bushing Pivot Tension Relief
33	532 17 83-42	Nut, Flg. Top Lock Cntr. 9/16	126	532 17 43-72	Arm, Idler, Primary Deck
37	532 17 79-68	Pulley, Idler, Flat	130	817 00 06-16	Screw 3/8-16 x 1.0
39	532 17 43-75	Pulley, Idler, Driven	132	817 00 06-12	Screw 3/8-16 x .75
42	532 12 20-52	Spacer, Retainer	182	532 17 91-27	Rod Roller Nose
43	532 17 43-73	Arm, Idler Secondary	183	532 16 35-52	Retainer Spring
45	532 18 08-06	Cover, Mandrel Deck	184	532 17 39-79	Keeper Belt Idler
46	532 13 77-29	Screw, Thdroll. 1/4-20 x 5/8	--	532 17 43-56	Mandrel Asm. Service (Includes Key Nos. 13-15 and 33)
47	532 18 08-08	V-Belt, Mower, Secondary	--	532 18 15-91	Relplacement Mower, Complete (Std. Deck - Order separately nose roller components key nos. 91, 94, 95, 132, 182, and 183)
48	532 17 43-68	V-Belt, Mower, Primary			
49	873 90 06-00	Nut, Lock 3/8-16 unc			
50	872 11 06-12	Bolt, Carr. 3/8-16 x 1-1/2 Gr. 5			

NOTE: All component dimensions given in U.S. inches
1 inch = 25.4 mm